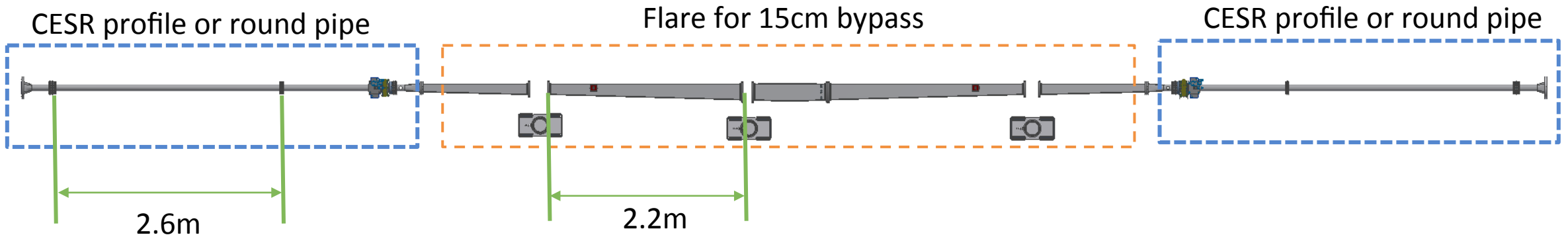
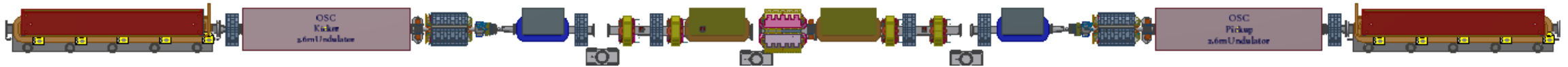
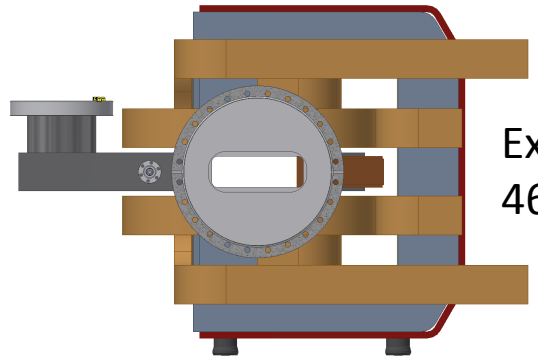
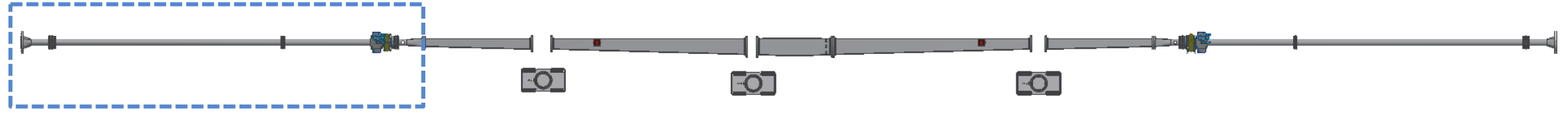


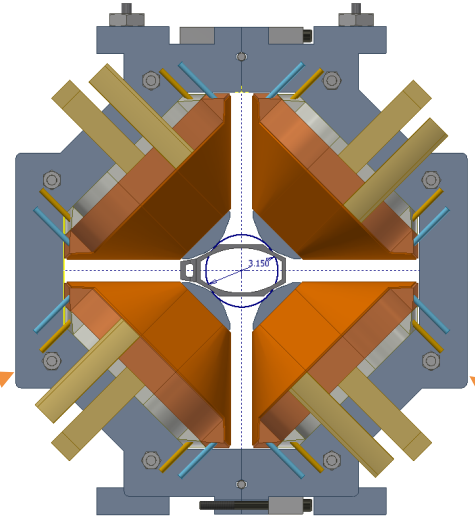
OSC Vacuum System Layout for 0.65m and 0.85m mixed bends



CESR profile or round pipe



Existing soft bends:
46mm x 135mm



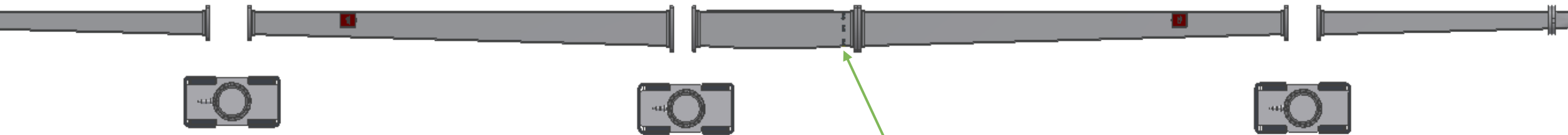
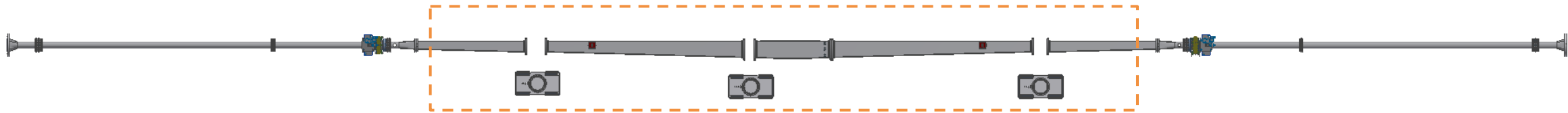
CESR MKII:
Max 80mm OD



Transition
region

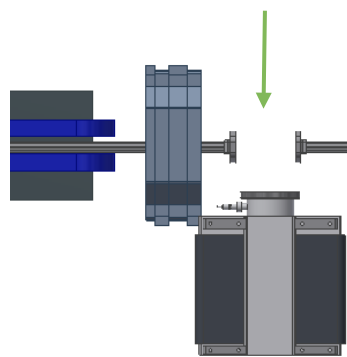
GV
Sliding joint
Transition region
& chamber for synch light

Flare for 15cm bypass

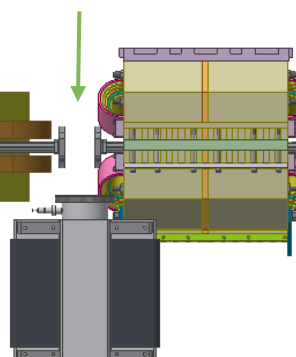


12 button bpm

Optics chamber



Optics chamber



Optics chamber

